

ROUGHING IN DIMENSIONS MAY VARY AND ARE SUBJECT TO CHANGE. NO RESPONSIBILITY IS ASSUMED FOR USE OF SUPERCEDED OR VOIDED DATA.



2100 South Clearwater Drive  
Des Plaines, IL 60018  
Phone: 800-566-2100  
Fax: 847-803-5454  
www.geberitnorthamerica.com

# ROUGH-IN

FITTING NO.

150.184.00.1

BY: SID DATE: 05-07-08

SUBMITTED MODEL NO.

CHK: *[Signature]*

REV:

**FOR TECHNICAL ASSISTANCE**  
1-800-TEC-TRUE (1-800-832-8783)

SUBMITTED AS SHOWN

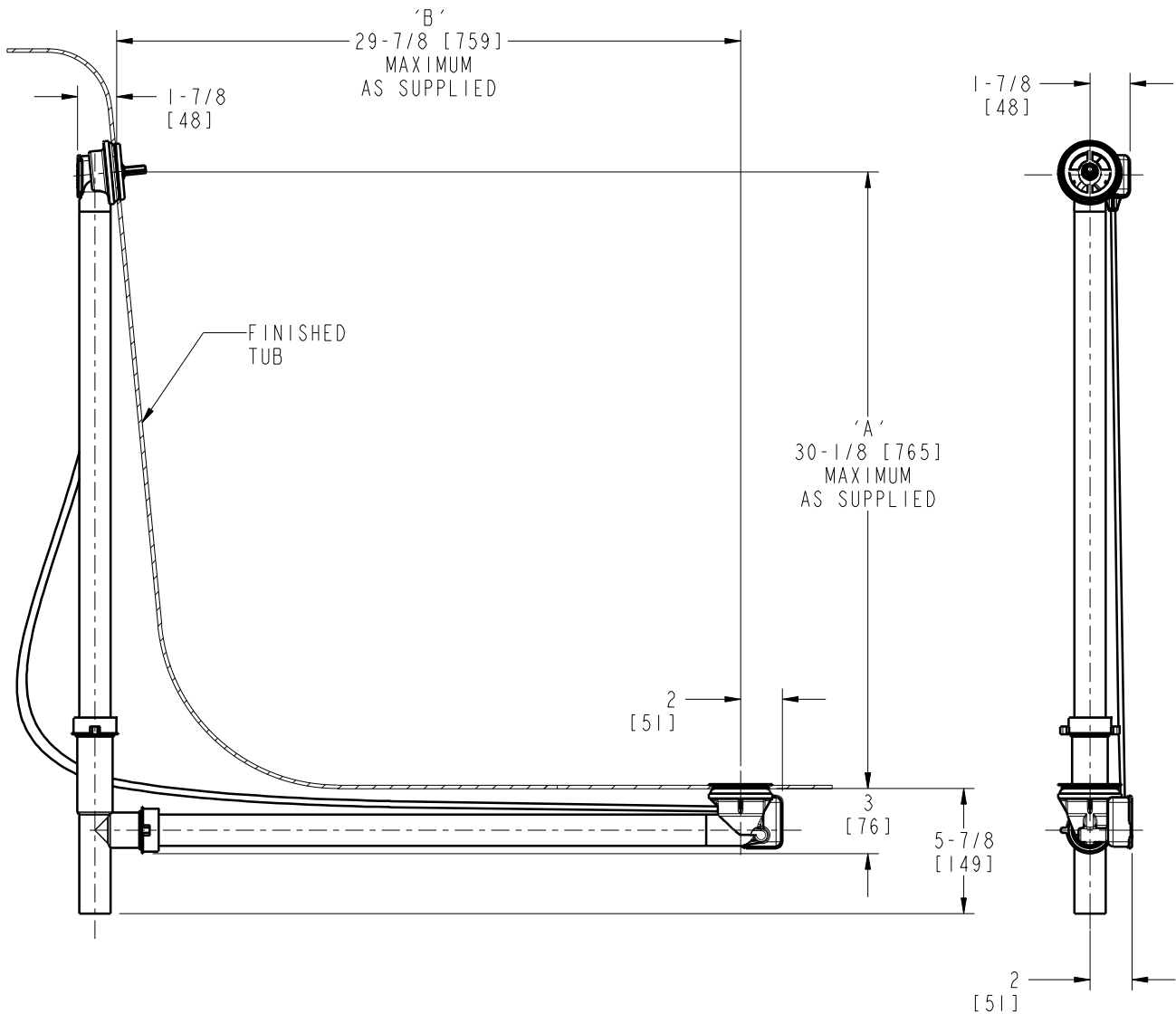
SUBMITTED AS NOTED

SEE ATTACHED FOR  
SUBMITTED MODIFICATION

JOB NAME

ITEM NO.

**NOTE:**  
**'A' + 'B' NOT TO EXCEED 43"**



DIMENSIONS ARE IN INCHES AND [MILLIMETERS].

**TECHNICAL DATA**

- TURN CONTROL CABLE-OPERATED BATH WASTE & OVERFLOW
- ROUGH-IN BODY ONLY
- FITS MOST TUBS 30" DEEP
- 1-1/2" TUBULAR PP .08 WALL THICKNESS
- FITS TUB WALL THICKNESS 1/16" TO 5/16"
- 2" DIA. DRAIN HOLE OPENING
- 2" TO 2-1/2" DIA. OVERFLOW HOLE OPENING
- STAINLESS STEEL STRAINER
- 43" TEFLON® COATED STAINLESS STEEL CABLE
- INSTALLATION TOOL INCLUDED
- ASME A112.18.2/CSA B125.2 COMPLIANT

# GEBERIT BATH WASTE AND TRAP SYSTEMS

## Trim Finishes and Rough-In Unit Materials

### IT'S GEBERIT

#### IT'S CABLE-OPERATED

Unlike other styles of bath drains, the Geberit Bath Waste and Trap critical working parts are outside the waterway to prevent clogging. The high quality cable is crafted from Teflon® coated stainless steel and has a plastic sleeve to deliver years of trouble-free service.

### STYLES TO MEET YOUR NEEDS



#### **PushControl BWO**

The Geberit PushControl BWO offers a thin, elegant look.



#### **Traditional TurnControl BWO**

The Geberit "original" was first-to-market over 25 years ago.



#### **Cascading Tub Filler BWO**

An integrated system that combines the functionality of filling and draining into one component.

## SELECTING A TRIM FINISH

The distinctive contoured handles are offered in a wide variety of finishes to match almost any décor. ForeverShine™ finishes have been developed to ensure that the quality and look of the product on which it is applied will last a lifetime. Clean up is simple and requires no abrasive cleansers or chemicals so maintaining the original factory finish is easy.

We are so confident of this finish process that we provide a limited lifetime warranty on ForeverShine™ products installed in residential applications.

Finish	Metal	Plastic
Alpine White (11)		■
Polished Chrome (21)	■	■
Bone (AA)		■
White (DY)		■
Biscuit (FF)		■
Hard Coat Oil Rubbed Bronze (HM)	■	
ForeverShine™ PVD Polished Nickel (IB)	■	
ForeverShine™ PVD Brushed Nickel (ID)	■	

## MATERIAL SELECTION

### Tubular Plastic

Plastic (polypropylene) is used chiefly for molded parts, electrical insulation, packaging.

### Tubular Brass

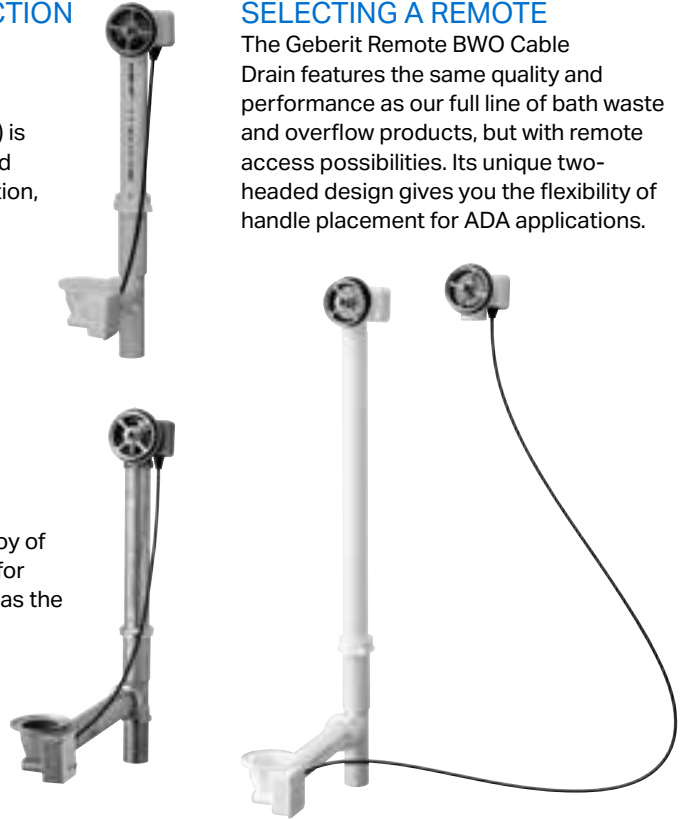
Brass is a yellowish alloy of copper and zinc used for enhancing items such as the Geberit BWO.

### ABS

ABS (Acrylonitrile, Butadiene, Styrene) is a plastic that's hard and durable through a broad range of temperatures.

### PVC

PVC, polyvinyl chloride, a widely used thermoplastic polymer, is tough, dent-resistant and maintains properties over long periods of time.



## SELECTING A REMOTE

The Geberit Remote BWO Cable Drain features the same quality and performance as our full line of bath waste and overflow products, but with remote access possibilities. Its unique two-headed design gives you the flexibility of handle placement for ADA applications.

## JOINTS

Slip joints are used when the drain will be accessible for maintenance. Glued joints are used for non-accessible drains. Geberit supplies tubing for slip connections with BWOs, but does NOT supply ABS/PVC piping for glued connections.



# GEBERIT BATH WASTE AND TRAP SYSTEMS

## Selecting the Right Size Bath Waste and Overflow

### FOR CONVENIENCE, USE THIS PAGE WHEN SIZING YOUR CABLE LENGTH.

Sizing a Geberit cable drain is simple. Start with acquiring the **Tub Depth** (see **FIGURE 1**), which serves as a rough guide for your final selection. While the actual definition of “tub depth” varies by manufacturer and model, the measurement is used to get a rough idea of the cable length you will need. Use the **Standard Rough-In Unit Cable Lengths** chart (below, right) to determine cable length based on your tub depth.

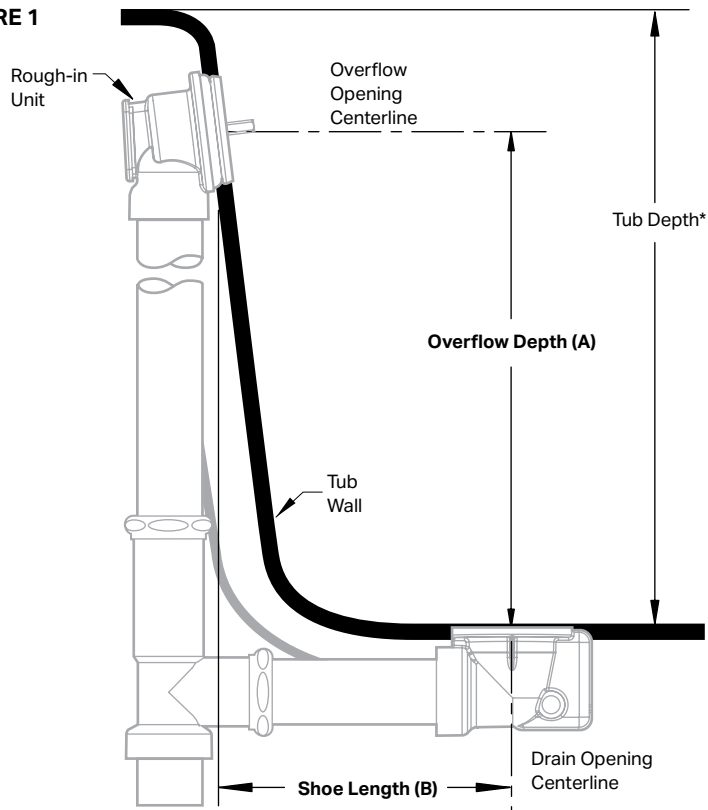
To assure your rough calculations are correct and your BWO will function properly, however, please follow these steps (refer to **FIGURE 1**).

1. Determine the **Overflow Depth (A)** which is the distance from the overflow center to drain mounting surface.
2. Determine the **Drain Shoe Length (B)** which is the distance from the drain centerline to the overflow mounting surface.
3. Choose **material** and joint **connection type**. Because material selection and joint preparations selection are covered by local codes, be sure a professional contractor is involved. Geberit offers a complete spectrum of BWO materials to assure code compliance (see page 33). The materials offered are Tubular Polypropylene, Tubular Brass, ABS and PVC.
4. To determine the **final size** of your BWO for **Tubular Slip-Joint** Plastic/Brass cable drain, use **FIGURE 2** on page 35. To determine the final size of your BWO for **glued** ABS/PVC cable drain, use **FIGURE 3** on page 35.

5. Your information can now be used to find the part number on each type of Geberit BWO.

Once you have determined the size and part number, you can also give this information to your sales outlet so they can verify you have the right Geberit model for your needs.

**FIGURE 1**



### Standard Rough-In Unit Cable Lengths

Key	Typical Tub Depth*	Cable Length
■	12"–16" (301–402)	17" (432)
■	17"–24" (427–602)	27" (678)
■	17"–24" (427–602)	33" (828)
■	25"–29" (628–728)	43" (1,079)
■	30" (753)	59" (1,481)

\* Varies by manufacturer and model number. Non-standard sizes, please refer to [geberit.us](http://geberit.us)

**FIGURE 2**

**Standard Tubular Slip Joint Rough-In Unit Cable Length Configuration Guide**

Use this chart to figure cable needed for Plastic/Brass standard Tubular installations.

**Example:**

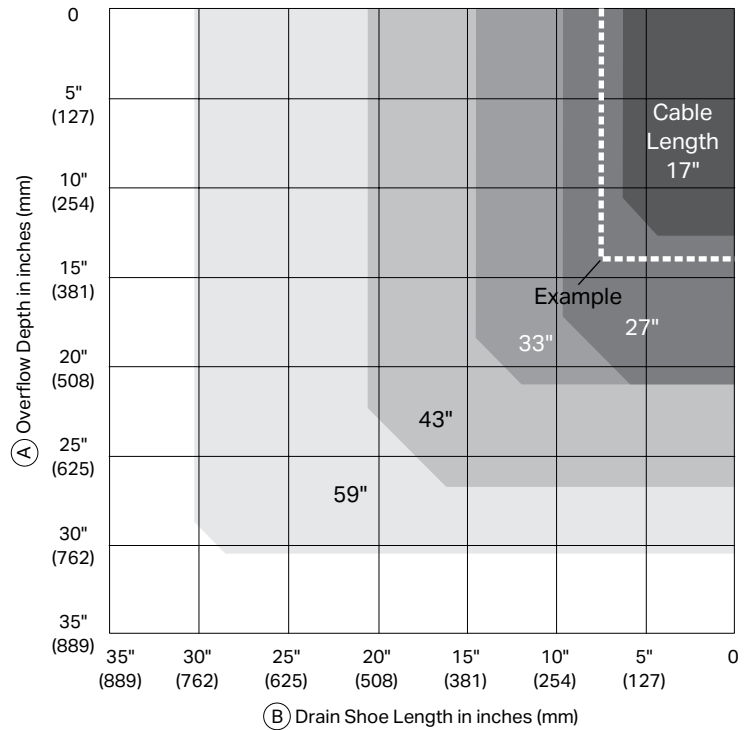
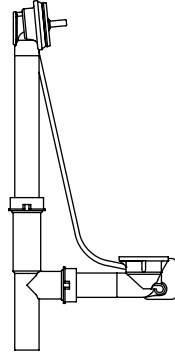
Ⓐ Overflow Depth = 14"

Ⓑ Drain Shoe Length = 7.5"

Requires a Rough-In Unit with a cable length of 27".

Custom installations can be achieved using standard Tubular Rough-In Units provided cable length is within acceptable range illustrated by shaded areas in guide.

Geberit recommends you review any custom installations with your sales outlet to assure you have the right model for your needs.



**FIGURE 3**

**ABS/PVC Glued Rough-In Unit Cable Length Configuration Guide\***

Use this chart to figure cable length needed for ABS/PVC glued custom installations.

Shaded areas indicate acceptable range of measurements for each cable length.

**Example:**

Ⓐ Overflow Depth = 22.5"

Ⓑ Drain Shoe Length = 12.5"

Requires a Rough-In Unit with a cable length of 43".

Geberit recommends you review any custom installations with your sales outlet to assure you have the right model for your needs.

\* ABS/PVC pipes not supplied

